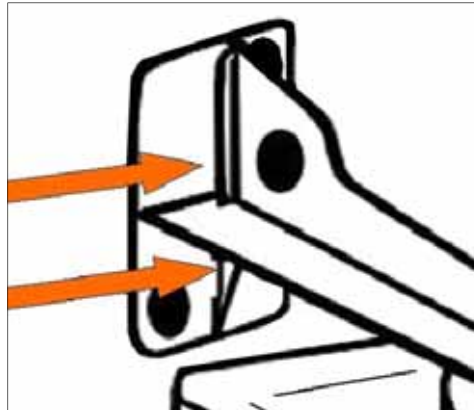




POSM PROCEDURE SHEET

Tri-spin Installation Instructions

1. Before installation, the tri-spin proposed surface needs to be cleaned with White Spirit on a DRY cloth and then dried with a separate cloth.
2. The triangular unit needs to be snapped into the two triangular brackets provided.
3. Remove paper backing from adhesive pad and install the tri-spin in the desired location. The tape will hold long enough for you to fit cable ties or screw the unit into position.
4. Cable ties can be threaded through the **rectangular** slots on the flat back plate area, as indicated by orange arrows on diagram. (not through the round screw holes). Unit needs to be secured at both the top and the bottom.



5. Once the unit is securely installed, snap off the 3 tabs on the top bracket of the unit. (Do not remove the tabs from the bottom of the unit). This allows posters to be inserted or removed as required without having to remove the complete Tri-Spin unit.

